

CE
0120



ARIX FOOT



2.8 & 3.5

ARIX Foot 2.8/3.5 Locking Plate System

Screws

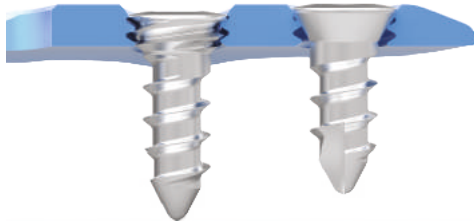
- 2.8 Locking Bone Screws
- 2.8 Cortical Bone Screws
- 3.5 Locking Bone Screws
- 3.5 Cortical Bone Screws

Plates

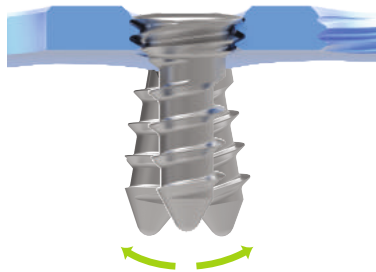
- 2.8 Plates
- 3.5 Calcaneus Plates

Instruments

- Tray Configuration



Comprehensive Locking and Non-Locking System
Each hole of ARIX Foot plates accepts locking and non-locking screws

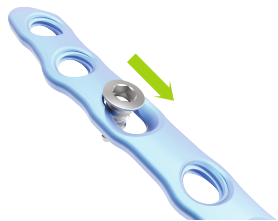


Variable Angle Locking
Every screw hole in the ARIX Foot Plates except the compression slots allows 10° off-axis screw angulation in all directions.
Locking screws can be angled and locked up to 10° off-axis in each direction for a total range of 20°.
Each plate can accommodate a variety of locking or non-locking screws in various angles for creation of customized, multi directional locked plating constructs.

Features and Benefits ARIX Foot 2.8/3.5 Locking Plate System



ARIX Foot plate with rounded edges is designed to ensure low profile fixation to minimize soft tissue irritation. All screws in ARIX Foot system are designed for minimal screw head prominence when inserted at angles up to 10° to reduce the potential for soft tissue irritation.



Many of the ARIX FOOT plates incorporate a compression slot(s) used to assist in compression of fractures or fusions. The act of inserting a ARIX Foot Screw into the oval compression hole creates compression by causing the screw to glide into the compression slot.



Screw head HexDrive recess

- Secure connection between screw and screwdriver for excellent self-retaining
- Increased torque transmission from the screwdriver to the screw and reduce the potential for screw head stripping.



Locking Bone Screw

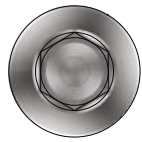
Hexa Drive Recess for Secure Retention and Torque Transmission
Low Profile Screw Head for Less Palpability
Self-Tapping Flute
10° Variable Angle Locking System
Ø2.8mm Locking Screws for Mid-foot
Ø3.5mm Locking Screws for Calcaneus Bone
Titanium Alloy Material



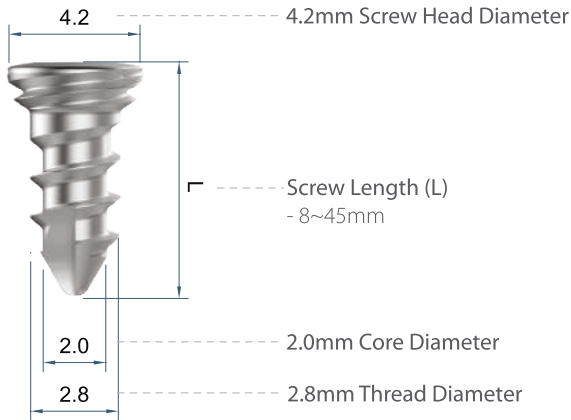
Cortical Bone Screw

Hexa Drive Recess for Secure Retention and Torque Transmission
Low Profile Screw Head for Less Palpability
Self-Tapping Flute
Ø2.8mm Locking Screws for Mid-foot
Ø3.5mm Locking Screws for Calcaneus Bone
Titanium Alloy Material

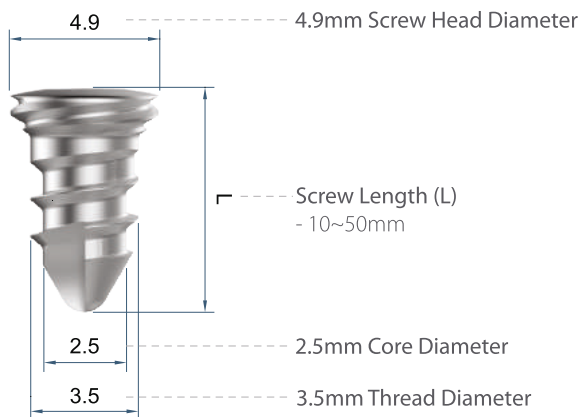
Ordering Information



2.8 Locking Bone Screw



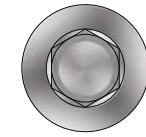
3.5 Locking Bone Screw



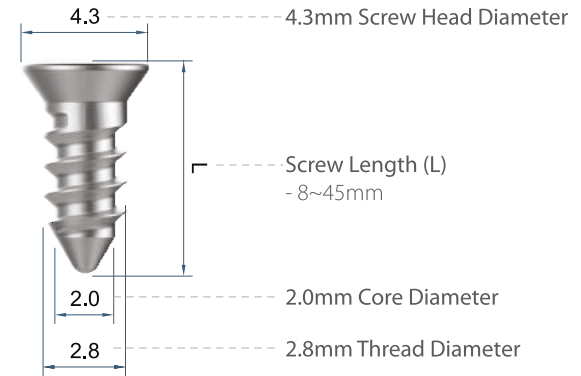
Code	Screw Head Diameter	Core Diameter	Thread Diameter	Screw Length (L)
28L-HF-008				8
28L-HF-010				10
28L-HF-012				12
28L-HF-014				14
28L-HF-016				16
28L-HF-018				18
28L-HF-020				20
28L-HF-022				22
28L-HF-024	4.2	2.0	2.8	24
28L-HF-026				26
28L-HF-028				28
28L-HF-030				30
28L-HF-032				32
28L-HF-034				34
28L-HF-036				36
28L-HF-038				38
28L-HF-040				40
28L-HF-045				45

Code	Screw Head Diameter	Core Diameter	Thread Diameter	Screw Length (L)
35L-HF-010				10
35L-HF-012				12
35L-HF-014				14
35L-HF-016				16
35L-HF-018				18
35L-HF-020				20
35L-HF-022	4.9	2.5	3.5	22
35L-HF-024				24
35L-HF-028				28
35L-HF-032				32
35L-HF-036				36
35L-HF-040				40
35L-HF-045				45
35L-HF-050				50

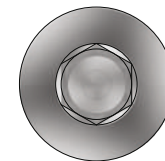
Code	Screw Head Diameter	Core Diameter	Thread Diameter	Screw Length (L)
28-FC-008	4.3	2.0	2.8	8
28-FC-010				10
28-FC-012				12
28-FC-014				14
28-FC-016				16
28-FC-018				18
28-FC-020				20
28-FC-022				22
28-FC-024				24
28-FC-026				26
28-FC-028				28
28-FC-030				30
28-FC-032				32
28-FC-034				34
28-FC-036				36
28-FC-038				38
28-FC-040				40
28-FC-045	45			



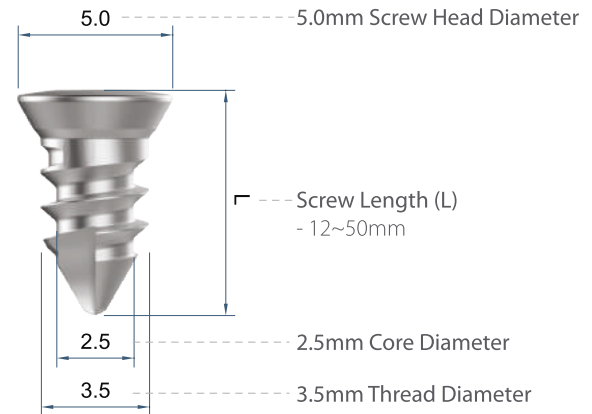
2.8 Cortical Bone Screw



Code	Screw Head Diameter	Core Diameter	Thread Diameter	Screw Length (L)
35-FC-010	5.0	2.5	3.5	10
35-FC-012				12
35-FC-014				14
35-FC-016				16
35-FC-018				18
35-FC-020				20
35-FC-022				22
35-FC-024				24
35-FC-028				28
35-FC-032				32
35-FC-036				36
35-FC-040				40
35-FC-045				45
35-FC-050				50



3.5 Cortical Bone Screw



Ordering Information
2.8/3.5 Foot Plates



F28-ST-002
Straight plate, 2 Holes
Blue, 1.6t

F28-ST-102
Straight plate, 2 Holes
Blue, 1.6t

2.8mm Double compression Straight Plates

- Fracture of the diaphysis of the 5th metatarsal (Jones fracture)
- Calcaneocuboid fusion
- Rounded edges to reduce the potential for soft tissue irritation
- Pre-contoured plate design
- 1.6mm thickness



F28-ST-004
Straight plate, 4 Holes
Blue, 1.6t

F28-ST-005
Straight plate, 5 Holes
Blue, 1.6t

F28-ST-006
Straight plate, 6 Holes
Blue, 1.6t

2.8mm Metatarsal fracture plates

- Designed for use in metatarsal fractures or osteotomies
- TMT fusion, Lateral column lengthening
- Compression slots for compression of fractures
- Rounded edges to reduce the potential for soft tissue irritation
- Pre-contoured plate design
- 1.6mm thickness



F28-TP-007

T type plate, 7 Holes
Blue, 1.6t

2.8mm Metatarsocuneiform plates

- 2nd and 3rd TMT Fusion Plates
- Lisfranc dislocation/fracture/arthrodesis, Lapidus, MTP fusion
- Compression slot to compress the metatarsal and cuneiform
- 1.6mm thickness



F28-TP-006

T type plate, 6 Holes
Blue, 1.6t



F28-GR-007

T type plate, 7 Holes
Blue, 1.6t

2.8mm 1st Metatarsal plates

- Designed for use in metatarsal fractures or osteotomies
- Rounded edges to reduce the potential for soft tissue irritation
- Pre-contoured plate design
- 1.6mm thickness

F28-GR-008

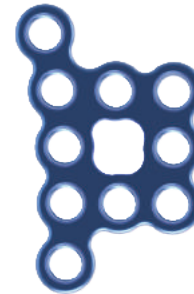
T type plate, 8 Holes
Blue, 1.6t

F28-TP-009

T type plate, 9 Holes
Blue, 1.6t

2.8mm Cuboid Fracture Plates

- Lisfranc arthrodesis
- Easy bending and contouring plate design for anatomic fit
- Left and right plates
- 1.3mm and 1.6mm thicknesses



F28-HP-010
H type plate, 10 Holes
Blue, 1.3t



F28-HL-009
H type plate, 9 Holes
Blue, 1.6t



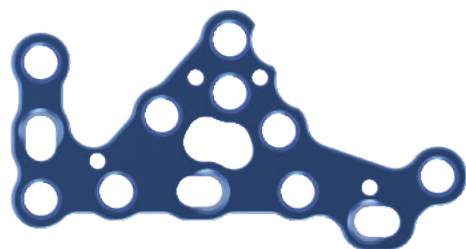
F28-HR-009
H type plate, 9 Holes
Blue, 1.6t



F28-HL-109
H type plate, 9 Holes
Blue, 1.6t

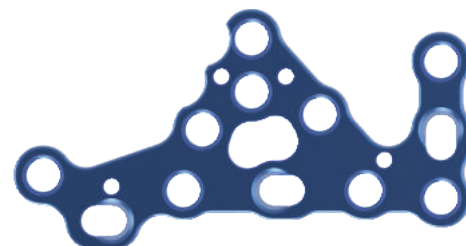


F28-HR-109
H type plate, 9 Holes
Blue, 1.6t



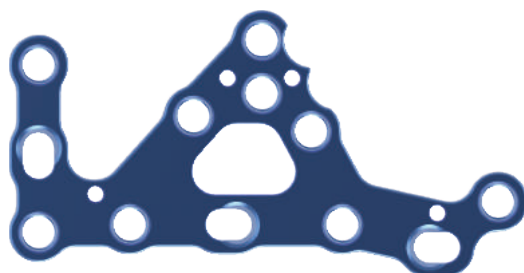
F35-CR-012-13
Small Calcaneus plate, 12 Holes
Blue, 1.3t

F35-CR-012-16
Small Calcaneus plate, 12 Holes
Blue, 1.6t



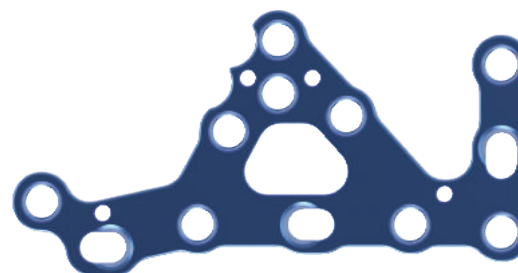
F35-CL-012-13
Small Calcaneus plate, 12 Holes
Blue, 1.3t

F35-CL-012-16
Small Calcaneus plate, 12 Holes
Blue, 1.6t



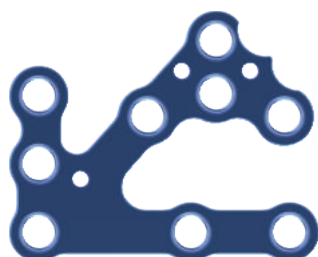
F35-CR-112-13
Large Calcaneus plate, 12 Holes
Blue, 1.3t

F35-CR-112-16
Large Calcaneus plate, 12 Holes
Blue, 1.6t



F35-CL-112-13
Large Calcaneus plate, 12 Holes
Blue, 1.3t

F35-CL-112-16
Large Calcaneus plate, 12 Holes
Blue, 1.6t



F35-CR-009
Calcaneus plate, 9 Holes
Blue, 1.6t



F35-CL-009
Calcaneus plate, 9 Holes
Blue, 1.6t

3.5mm Calcaneus Fracture Plates

- Easy bending and contouring plate design for anatomic fit
- Compression holes to assist in compression of fractures
- Multiple screw holes to address complex fractures of the calcaneus
 - Temporary pinning hole
 - Left and right plates
- 1.3mm and 1.6mm thickness options

Ordering Information
Instruments of ARIX Foot 2.8/3.5
Locking Plate System



111-070
Drill Guide Sleeve for 2.8mm Screws



111-073
Drill Guide Sleeve for Variable angle 2.8mm Screws



111-071
Drill Guide Sleeve for 3.5mm Screws



111-074
Drill Guide Sleeve for Variable angle 3.5mm Screws



114-009
Grasping Forceps



111-055
Drill Guide for 2.8mm Screws



111-056
Drill Guide for 3.5 Screws



111-060
Compression Drill Guide for 2.8/3.5 Plates



111-066
Depth Gauge for 2.8/3.5mm Screws



111-063
Screwdriver Handle

Plate Bender

Excellent anatomic fit hand grip
Proper size body for plate bending
Grooves for various thickness plates



111-065
Plate Bender, Left



111-065-1
Plate Bender, Right



112-075
ARIX Foot 2.8/3.5 Locking Plate System Tray

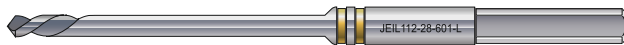
Ordering Information
ARIX Foot 2.8 / 3.5
Locking Plate System



113-HF-601
Screwdriver Shaft for 2.8mm Screws



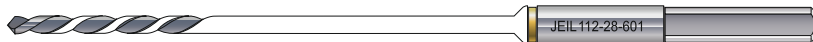
113-HF-701
AO Type Screwdriver Shaft for 2.8mm Screws



112-28-601-L
Drill Bit for 2.8mm Lag Screw Technique
Drilling Length 42mm, Overall Length 82mm



112-28-701-L
AO Type Drill Bits for 2.8mm Lag Screw Technique
Drilling Length 42mm, Overall Length 68mm



112-28-601
Drill Bit for 2.8mm Screws
Drilling Length 67mm, Overall Length 107mm



112-28-701
AO Type Drill Bits for 2.8mm Screw
Drilling Length 67mm, Overall Length 93mm



113-HF-606
Screwdriver Shaft for 3.5mm Screws



113-HF-706
AO Type Screwdriver Shaft for 3.5mm Screws



112-35-601-L
Drill Bit for 3.5mm Lag Screw Technique
Drilling Length 47mm, Overall Length 87mm



112-35-701-L
AO Type Drill Bits for 3.5mm Lag Screw Technique
Drilling Length 47mm, Overall Length 73mm



112-35-601
Drill Bit for 3.5mm Screws
Drilling Length 72mm, Overall Length 112mm



112-35-701
AO Type Drill Bits for 3.5mm Screws
Drilling Length 72mm, Overall Length 98mm

Implants _ Plates

Code	Description	Set Quantity
F28-ST-002	Straight Plate, 2 Holes, Blue, 1.6T, Short	3
F28-ST-102	Straight Plate, 2 Holes, Blue, 1.6T, Long	3
F28-ST-004	Straight Plate, 4 Holes, Blue, 1.6T	3
F28-ST-005	Straight Plate, 5 Holes, Blue, 1.6T	3
F28-ST-006	Straight Plate, 6 Holes, Blue, 1.6T	3
F28-TP-006	T Plate, 6 Holes, Blue, 1.6T	3
F28-TP-007	T Plate, 7 Holes, Blue, 1.6T	3
F28-GR-007	Grid Plate, 7 Holes, Blue, 1.6T	3
F28-GR-008	Grid Plate, 8 Holes, Blue, 1.6T	3
F28-GR-009	Grid Plate, 9 Holes, Blue, 1.6T	3
F28-HP-010	H Plate, 10 Holes, Blue, 1.3T	3
F28-HL-009	H Plate, 9 Holes, Blue, 1.3T, Left, Small	3
F28-HR-009	H Plate, 9 Holes, Blue, 1.3T, Right, Small	3
F28-HL-109	H Plate, 9 Holes, Blue, 1.3T, Left, Large	3
F28-HR-109	H Plate, 9 Holes, Blue, 1.3T, Right, Large	3
F35-CL-012(112)-13	Calcaneus Plate, 12 Holes, Blue, 1.3T, Left	2
F35-CR-012(112)-13	Calcaneus Plate, 12 Holes, Blue, 1.3T, Right	2
F35-CL-009	Calcaneus Plate, 9 Holes, Blue, 1.6T, Left	2
F35-CR-009	Calcaneus Plate, 9 Holes, Blue, 1.6T, Right	2

Implants _ Screws

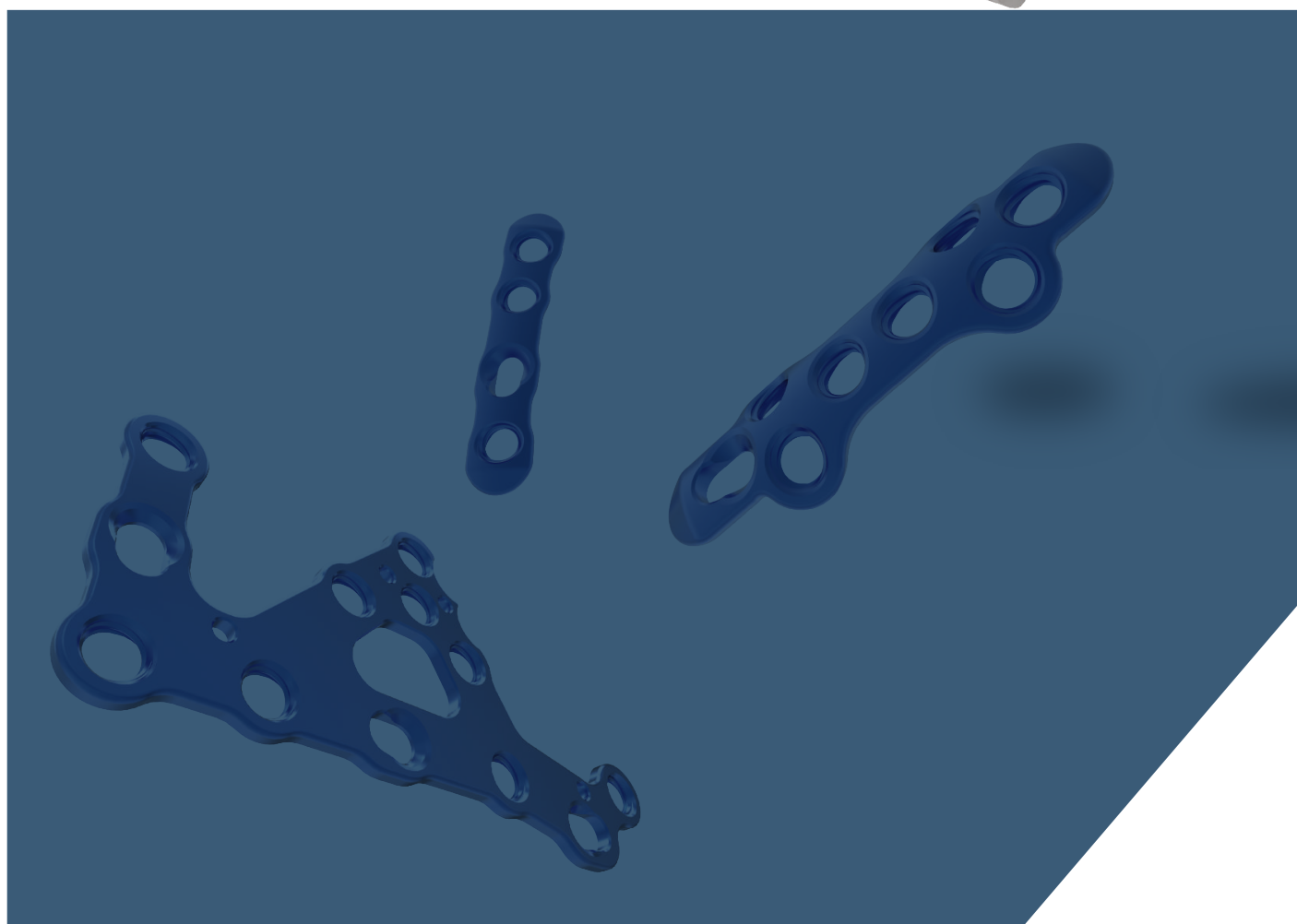
Code	Description	Set Quantity
28-FC-XXX	2.8mm Cortical Bone Screw	90
28L-HF-XXX	2.8mm Bone Screw	90
35-FC-XXX	3.5mm Cortical Bone Screw	70
35L-HF-XXX	3.5mm Bone Screw	70

Tray Configurations
ARIX Foot 2.8/3.5 Locking Plate System

Instruments

Code	Description	Set Quantity
112-075	ARIX Foot 2.8/3.5 Plating System Tray	1
112-28-601	Drill Bit for 2.8mm Screws	2
112-28-701	AO Type Drill Bits for 2.8mm Screws	2
112-35-601	Drill Bit for 3.5mm Screws	2
112-35-701	AO Type Drill Bits for 3.5mm Screws	2
112-28-601-L	Drill Bit for 2.8mm Lag Screw Technique	1
112-28-701-L	AO Type Drill Bits for 2.8mm Lag Screw Technique	1
112-35-601-L	Drill Bit for 3.5mm Lag Screw Technique	1
112-35-701-L	AO Type Drill Bits for 2.8mm Lag Screw Technique	1
111-070	Drill Guide Sleeve for 2.8mm Screws	1
111-071	Drill Guide Sleeve for 3.5mm Screws	1
111-073	Drill Guide Sleeve for Variable angle 2.8mm Screws	1
111-074	Drill Guide Sleeve for Variable angle 3.5mm Screws	1
111-063	Screwdriver Handle	2
111-066	Depth Gauge for 2.8/3.5mm Screws	1
111-065	Plate Bender, Left	1
111-065-1	Plate Bender, Right	1
113-HF-601	Screwdriver Shaft for 2.8mm Screws	1
113-HF-701	AO Type Screwdriver Shaft for 2.8mm Screws	1
113-HF-606	Screwdriver Shaft for 3.5mm Screws	1
113-HF-706	AO Type Screwdriver Shaft for 3.5mm Screws	1
111-055	Drill Guide for 2.8mm Screws	1
111-056	Drill Guide for 3.5mm Screws	1
111-060	Compression Drill Guide for 2.8/3.5 Plates	1
114-009	Grasping Forceps	1

ARIX FOOT SYSTEMS





JEIL MEDICAL CORPORATION

702-703-704-705-706-804-805-807-812-ho, 55, Digital-ro 34-gil, Guro-gu, 08378, Rep. of Korea

INTERNATIONAL SALES_ T 82.2.850.3903 F 82.2.850.3537 E global@jeilmed.co.kr

DOMESTIC SALES_ T 82.2.850.3500 F 82.2.850.3535 E jeil@jeilmed.co.kr

www.jeilmed.co.kr

LBEN-M1501(01)