

CE
0120



ARX CANNULATED SCREW SYSTEM

2.3 / 3.0 / 4.5 / 6.0 Cannulated Screw



Contents

3	Indications
4	Features and Benefits
5	Ordering Information
5	- 2.3 Cannulated Screws / 2.3 Cannulated Headless Screws
7	- 2.3 Cannulated Instruments
9	- 3.0 Cannulated Screws / 3.0 Cannulated Headless Screws
11	- 3.0 Cannulated Instruments
13	- 4.5/6.0 Cannulated Screws
15	- 4.5/6.0 Cannulated Instruments
18	- Instruments_Case
19	Set Configuration Suggestion
23	Reference Chart-Guide Pins / Drill Bits

Fixation of Small Bone Fragments

- Fracture of the phalanges, metacarpals, carpals and distal radius
- Fractures of the phalanges, metatarsals, tarsals and ankle

Arthrodeses of Corrective Osteotomies of Small Bones

- Arthrodeses of small joints of hand and foot
- Bunionectomies and Osteotomies

Features and Benefits

Titanium Alloy Material

- Increased compatibility with CT and MRI
- Biocompatible, corrosion-resistant and non-toxic in a biological environment.

Thread Length Choice

For best fit of distal threads into far bone fragment to bear increased interfragmentary compression.

Self-Tapping Flutes

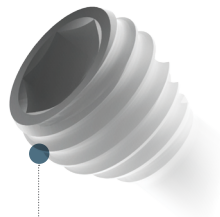
Reduced OR time by eliminating the need for tapping.

· Cannulated Screws



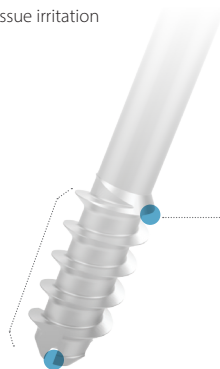
Low profile Screw Head
Reduced possibility of soft-tissue irritation

· Cannulated Headless Screws



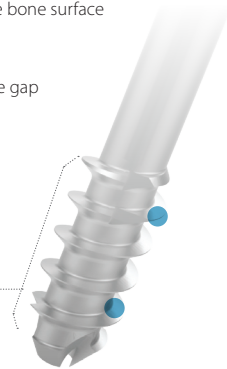
Cutting Flutes and Double Threads on Screw Head
Facilitate countersinking of the screw head below the bone surface

Identical Pitch of Head and Shaft Threads
for controlled closure and compression of the fracture gap

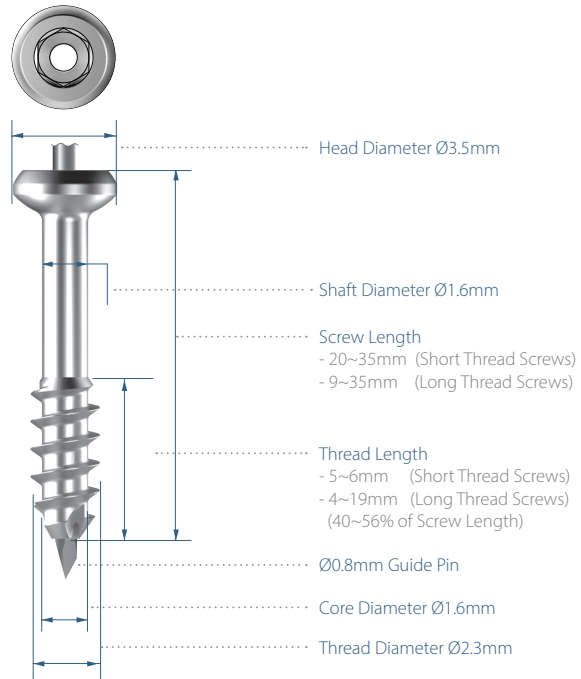


Reverse cutting flute
for ease of screw removal

Thread Length Choice



2.3 Cannulated Screws



Short Thread Screw

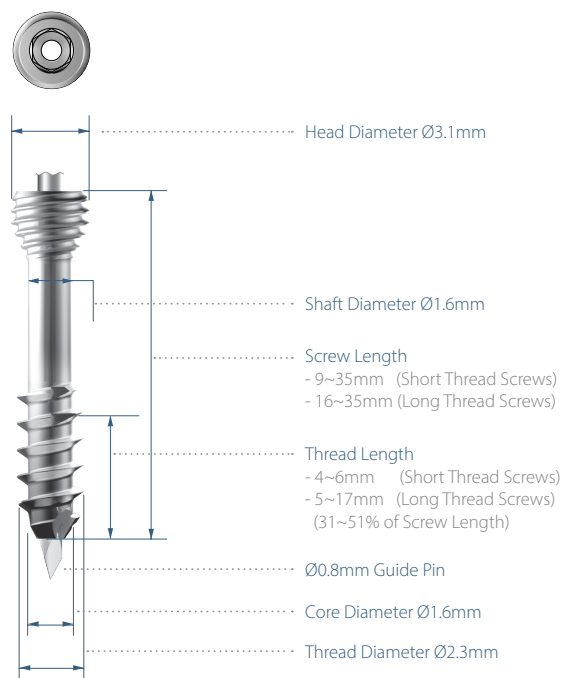
Long Thread Screw

[Unit: mm]

Code	Thread Length	Screw Length	Code	Thread Length	Screw Length
23-CS-020	5	20	23-CS-009L	4	9
23-CS-022	5	22	23-CS-010L	4	10
23-CS-024	6	24	23-CS-011L	5	11
23-CS-026	6	26	23-CS-012L	5	12
23-CS-028	6	28	23-CS-013L	6	13
23-CS-030	6	30	23-CS-014L	6	14
23-CS-035	6	35	23-CS-015L	7	15
			23-CS-016L	7	16
			23-CS-017L	8	17
			23-CS-018L	9	18
			23-CS-019L	9	19
			23-CS-020L	9	20
			23-CS-022L	10	22
			23-CS-024L	10	24
			23-CS-026L	12	26
			23-CS-028L	12	28
			23-CS-030L	14	30
			23-CS-035L	19	35

Code	Description	Set Quantity
23-CS-XXX	2.3 Cannulated Screws (3 pieces per length)	75

2.3 Cannulated Headless Screws



Short Thread Screw

Long Thread Screw

[Unit: mm]

Code	Thread Length	Screw Length	Code	Thread Length	Screw Length	Code	Thread Length	Screw Length
23-CH-009	4	9	23-CH-021	4	21	23-CH-016L	5	16
23-CH-010	4	10	23-CH-022	4	22	23-CH-017L	6	17
23-CH-011	4	11	23-CH-023	4	23	23-CH-018L	6	18
23-CH-012	4	12	23-CH-024	4	24	23-CH-019L	7	19
23-CH-013	4	13	23-CH-025	5	25	23-CH-020L	7	20
23-CH-014	4	14	23-CH-026	5	26	23-CH-022L	8	22
23-CH-015	4	15	23-CH-027	6	27	23-CH-024L	8	24
23-CH-016	4	16	23-CH-028	6	28	23-CH-026L	10	26
23-CH-017	4	17	23-CH-029	6	29	23-CH-028L	10	28
23-CH-018	4	18	23-CH-030	6	30	23-CH-030L	12	30
23-CH-019	4	19	23-CH-035	6	35	23-CH-035L	17	35
23-CH-020	4	20						

Code	Description	Set Quantity
23-CH-XXX	2.3 Cannulated Headless Screws (3 pieces per length)	102

2.3 Instruments

Drill Bit & Screwdriver Shaft



112-23-601



113-HF-608

Code	Description	Set Quantity
112-23-601	Cannulated Drill Bit Ø1.8mm for Ø2.3mm Cannulated Screws(Drilling length: 30mm, Overall length: 110mm)	2
113-HF-608	Hexagonal Screwdriver Shaft for Ø2.3mm Cannulated Screws	2

Cannulated Countersink Drill Bit



111-094

Code	Description	Set Quantity
111-094	Cannulated Countersink Drill Bit	1

Screwdriver Handle



111-063

Code	Description	Set Quantity
111-063	Screwdriver Handle	2

Depth Gauge

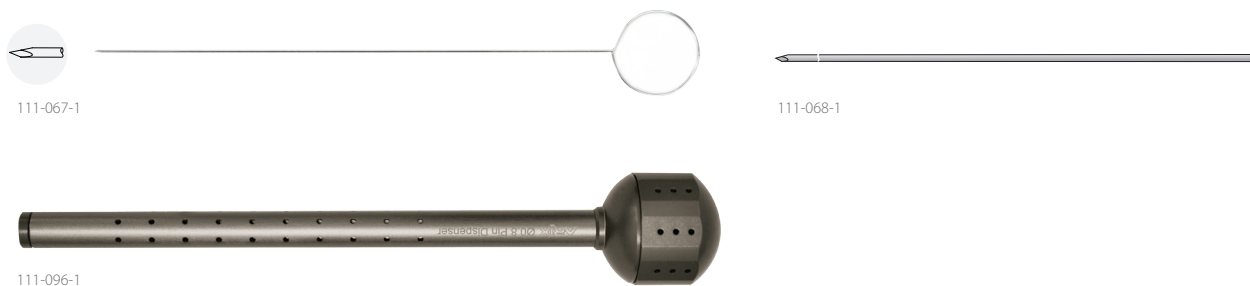


111-061

Code	Description	Set Quantity
111-061	Depth Gauge for Ø2.3/Ø3.0mm Screws, 0~50mm	1

2.3 Instruments

Guide Pin & Cleaning Stylet & Dispenser



Code	Description	Set Quantity
111-067-1	Cleaning Stylet Ø0.8mm	10
111-068-1	Guide Pin Ø0.8mm for Ø2.3mm Screws	1
111-096-1	Dispenser	1

Forceps



114-009

Code	Description	Set Quantity
114-009	Grasping Forceps	1

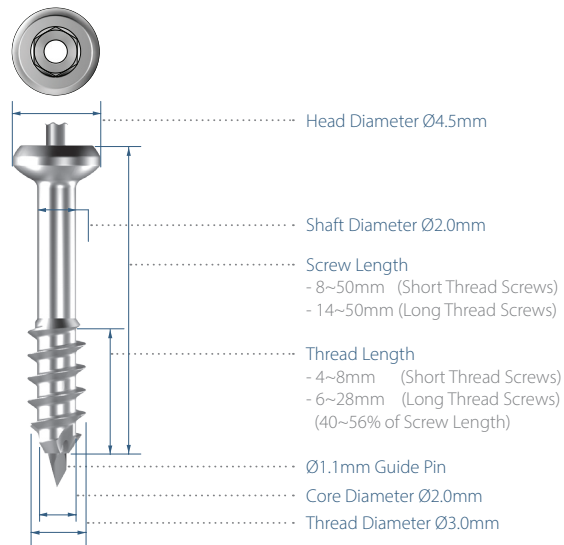
Drill Guide



111-093

Code	Description	Set Quantity
111-093	Double Drill Guide for Ø2.3mm Screws	1

3.0 Cannulated Screws



Short Thread Screw

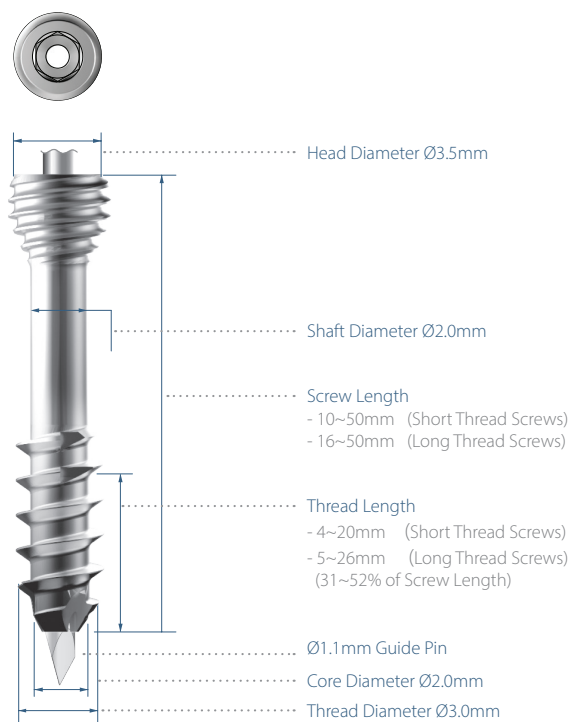
Long Thread Screw

[Unit: mm]

Code	Thread Length	Screw Length	Code	Thread Length	Screw Length	Code	Thread Length	Screw Length
30-CS-008	4	8	30-CS-023	5	23	30-CS-014L	6	14
30-CS-009	4	9	30-CS-024	6	24	30-CS-015L	7	15
30-CS-010	4	10	30-CS-025	6	25	30-CS-016L	7	16
30-CS-011	4	11	30-CS-026	6	26	30-CS-017L	8	17
30-CS-012	4	12	30-CS-027	6	27	30-CS-018L	8	18
30-CS-013	4	13	30-CS-028	6	28	30-CS-019L	9	19
30-CS-014	4	14	30-CS-029	6	29	30-CS-020L	9	20
30-CS-015	4	15	30-CS-030	6	30	30-CS-021L	9	21
30-CS-016	4	16	30-CS-032	6	32	30-CS-022L	10	22
30-CS-017	4	17	30-CS-034	7	34	30-CS-023L	10	23
30-CS-018	5	18	30-CS-036	7	36	30-CS-024L	10	24
30-CS-019	5	19	30-CS-038	8	38	30-CS-025L	10	25
30-CS-020	5	20	30-CS-040	8	40	30-CS-026L	12	26
30-CS-021	5	21	30-CS-045	8	45	30-CS-027L	12	27
30-CS-022	5	22	30-CS-050	8	50	30-CS-028L	12	28
						30-CS-029L	12	29
						30-CS-030L	14	30
						30-CS-032L	14	32
						30-CS-034L	16	34
						30-CS-036L	16	36
						30-CS-038L	18	38
						30-CS-040L	18	40
						30-CS-045L	23	45
						30-CS-050L	28	50

Code	Description	Set Quantity
30-CS-XXX	3.0 Cannulated Screws (3 pieces per length)	162

3.0 Cannulated Headless Screws



Short Thread Screw

Long Thread Screw

[Unit: mm]

Code	Thread Length	Screw Length	Code	Thread Length	Screw Length	Code	Thread Length	Screw Length
30-CH-010	4	10	30-CH-024	5	24	30-CH-016L	5	16
30-CH-011	4	11	30-CH-025	5	25	30-CH-017L	6	17
30-CH-012	4	12	30-CH-026	5	26	30-CH-018L	6	18
30-CH-013	4	13	30-CH-027	6	27	30-CH-019L	7	19
30-CH-014	4	14	30-CH-028	6	28	30-CH-020L	7	20
30-CH-015	4	15	30-CH-029	6	29	30-CH-021L	8	21
30-CH-016	4	16	30-CH-030	7	30	30-CH-022L	8	22
30-CH-017	4	17	30-CH-032	7	32	30-CH-023L	8	23
30-CH-018	4	18	30-CH-034	8	34	30-CH-024L	8	24
30-CH-019	4	19	30-CH-036	9	36	30-CH-025L	8	25
30-CH-020	4	20	30-CH-038	9	38	30-CH-026L	10	26
30-CH-021	4	21	30-CH-040	10	40	30-CH-027L	10	27
30-CH-022	4	22	30-CH-045	15	45	30-CH-028L	10	28
30-CH-023	4	23	30-CH-050	20	50	30-CH-029L	10	29
						30-CH-030L	12	30
						30-CH-032L	12	32
						30-CH-034L	14	34
						30-CH-036L	14	36
						30-CH-038L	16	38
						30-CH-040L	16	40
						30-CH-045L	21	45
						30-CH-050L	26	50

Code	Description	Set Quantity
30-CH-XXX	3.0 Cannulated Headless Screws (3 pieces per length)	150

3.0 Instruments

Drill Bit & Screwdriver Shaft



112-30-601



113-HF-603

Code	Description	Set Quantity
112-30-601	Cannulated Drill Bit Ø2.2mm for Ø3.0mm Screws	2
113-HF-603	Cannulated Screwdriver Shaft for Ø3.0mm Screws	2

Cannulated Countersink Drill Bit



111-072

Code	Description	Set Quantity
111-072	Cannulated Countersink Drill Bit	1

Screwdriver Handle



111-063

Code	Description	Set Quantity
111-063	Screwdriver Handle	2

Guide Pin



111-068-2

Code	Description	Set Quantity
111-068-2	Guide Pin Ø1.1mm for Ø3.0mm Screws	5

3.0 Instruments

Depth Gauge



111-061

Code	Description	Set Quantity
111-061	Depth Gauge for Ø2.3/Ø3.0mm Screws, 0~50mm	1

Cleaning Stylet



111-067-2

Code	Description	Set Quantity
111-067-2	Cleaning Stylet Ø1.1mm	1

Forceps



111-064



114-009

Code	Description	Set Quantity
111-064	Screw Holding Forceps	1
114-009	Grasping Forceps	1

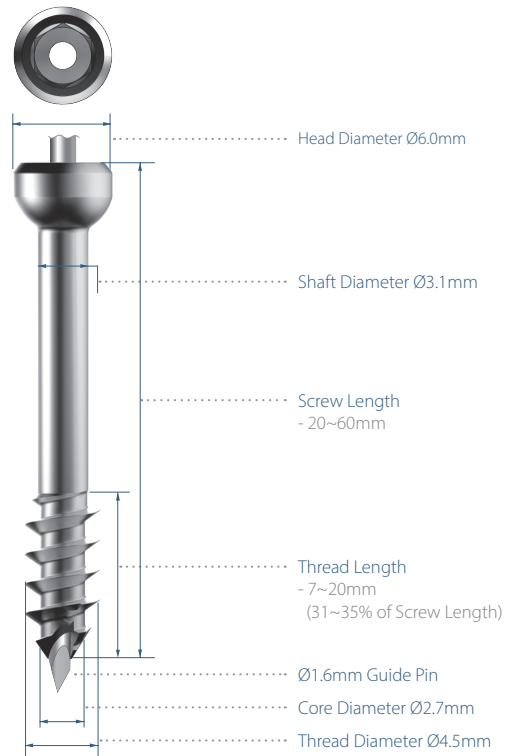
Drill Guide



111-057

Code	Description	Set Quantity
111-057	Double Drill Guide for Ø3.0mm Screws	1

4.5 Cannulated Screws

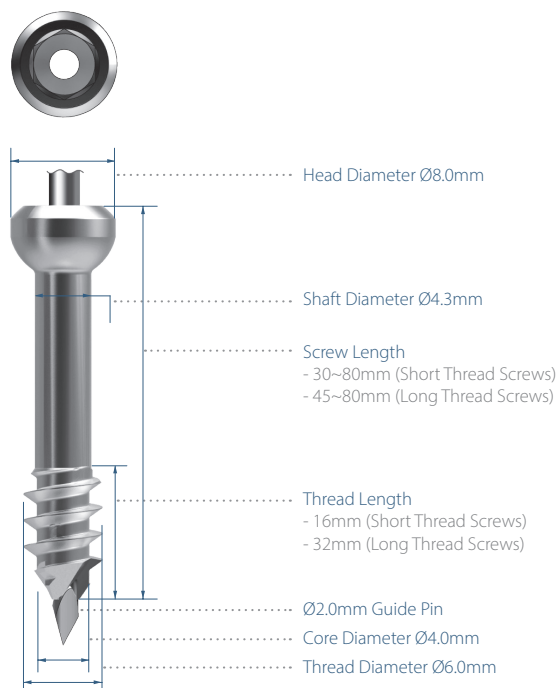


[Unit: mm]

Code	Thread Length	Screw Length	Code	Thread Length	Screw Length
45-CS-020	7	20	45-CS-040	13	40
45-CS-022	7	22	45-CS-042	14	42
45-CS-024	8	24	45-CS-044	15	44
45-CS-026	9	26	45-CS-046	15	46
45-CS-028	9	28	45-CS-048	16	48
45-CS-030	10	30	45-CS-050	17	50
45-CS-032	11	32	45-CS-052	17	52
45-CS-034	11	34	45-CS-054	18	54
45-CS-036	12	36	45-CS-056	19	56
45-CS-038	13	38	45-CS-060	20	60

Code	Description	Set Quantity
45-CS-XXX	4.5 Cannulated Screws (3 pieces per length)	60

6.0 Cannulated Screws



Short Thread Screw

Code	Thread Length	Screw Length
60-CS-030	16	30
60-CS-035	16	35
60-CS-040	16	40
60-CS-045	16	45
60-CS-050	16	50
60-CS-055	16	55
60-CS-060	16	60
60-CS-065	16	65
60-CS-070	16	70
60-CS-075	16	75
60-CS-080	16	80

Long Thread Screw

[Unit: mm]

Code	Thread Length	Screw Length
60-CS-045L	32	45
60-CS-050L	32	50
60-CS-055L	32	55
60-CS-060L	32	60
60-CS-065L	32	65
60-CS-070L	32	70
60-CS-075L	32	75
60-CS-080L	32	80

Code	Description	Set Quantity
60-CS-XXX	6.0 Cannulated Screws (3 pieces per length)	57

4.5/6.0 Instruments

Drill Bit & Screwdriver Shaft



112-45-601



112-60-601



113-HF-604



113-HF-605

Code	Description	Set Quantity
112-45-601	Cannulated Drill Bit Ø3.5mm for Ø4.5mm Screws(Drilling length: 85mm, Overall length: 120mm)	2
112-60-601	Cannulated Drill Bit Ø4.8mm for Ø6.0mm Screws(Drilling length: 105mm, Overall length: 140mm)	2
113-HF-604	Cannulated Screwdriver Shaft for Ø4.5mm Screws	2
113-HF-605	Cannulated Screwdriver Shaft for Ø6.0mm Screws	2

Screwdriver Handle



111-063

Code	Description	Set Quantity
111-063	Screwdriver Handle	2

Guide Pin



111-068-3 / 111-068-4

Code	Description	Set Quantity
111-068-3	Guide Pin Ø1.6mm for Ø4.5mm Screws	3
111-068-4	Guide Pin Ø2.0 mm for Ø6.0mm Screws	3

4.5/6.0 Instruments

Depth Gauge



111-062

Code	Description	Set Quantity
111-062	Depth Gauge for Ø4.5/Ø6.0mm Screws, 0~80mm	1

Cleaning Stylet



111-067-3 / 111-067-4

Code	Description	Set Quantity
111-067-3	Cleaning Stylet Ø1.6mm	1
111-067-4	Cleaning Stylet Ø2.0 mm	1

Forceps



111-064



114-009

Code	Description	Set Quantity
111-064	Screw Holding Forceps	1
114-009	Grasping Forceps	1

Countersink Drill Bit



111-072

Code	Description	Set Quantity
111-072	Cannulated Countersink Drill Bit	1

4.5/6.0 Instruments

Compression Washer



Code	Description	Set Quantity
111-069-1	Compression Washer for Ø4.5mm Screws	3
111-069-2	Compression Washer for Ø6.0mm Screws	3

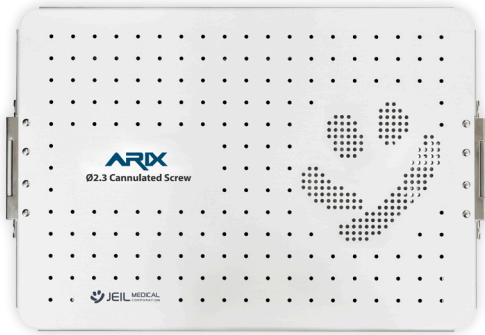
Drill Guide



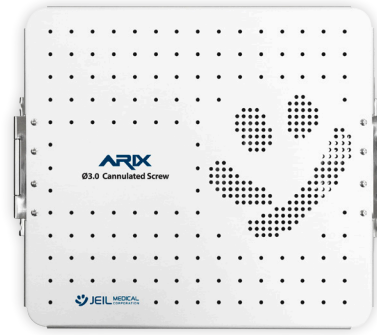
Code	Description	Set Quantity
111-058	Double Drill Guide for Ø4.5mm Screws	1
111-059	Double Drill Guide for Ø6.0mm Screws	1

Instruments

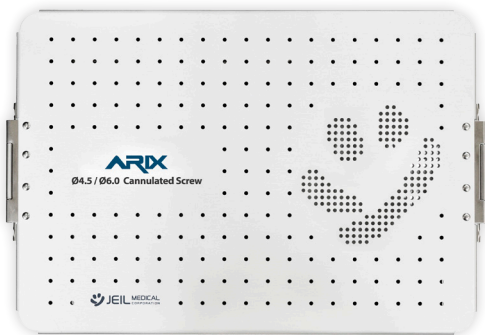
Case



910.14AS01



112-074



112-076

Code	Description	Set Quantity
910.14AS01	ARIX Foot 2.3 Cannulated Screw System Tray	1
112-074	ARIX Foot 3.0 Cannulated Screw System Tray	1
112-076	ARIX Foot 4.5/6.0 Cannulated Screw System Tray	1

2.3 Set Set Configuration

2.3mm Cannulated Screws				2.3mm Cannulated Headless Screws			
No	Code	Description	Set Quantity	No	Code	Description	Set Quantity
1	23-CS-020	Short Thread Screw, Length 20mm	3	1	23-CH-009	Short Thread Screw, Length 9mm	3
2	23-CS-022	Short Thread Screw, Length 22mm	3	2	23-CH-010	Short Thread Screw, Length 10mm	3
3	23-CS-024	Short Thread Screw, Length 24mm	3	3	23-CH-011	Short Thread Screw, Length 11mm	3
4	23-CS-026	Short Thread Screw, Length 26mm	3	4	23-CH-012	Short Thread Screw, Length 12mm	3
5	23-CS-028	Short Thread Screw, Length 28mm	3	5	23-CH-013	Short Thread Screw, Length 13mm	3
6	23-CS-030	Short Thread Screw, Length 30mm	3	6	23-CH-014	Short Thread Screw, Length 14mm	3
7	23-CS-035	Short Thread Screw, Length 35mm	3	7	23-CH-015	Short Thread Screw, Length 15mm	3
8	23-CS-009L	Long Thread Screw, Length 9mm	3	8	23-CH-016	Short Thread Screw, Length 16mm	3
9	23-CS-010L	Long Thread Screw, Length 10mm	3	9	23-CH-017	Short Thread Screw, Length 17mm	3
10	23-CS-011L	Long Thread Screw, Length 11mm	3	10	23-CH-018	Short Thread Screw, Length 18mm	3
11	23-CS-012L	Long Thread Screw, Length 12mm	3	11	23-CH-019	Short Thread Screw, Length 19mm	3
12	23-CS-013L	Long Thread Screw, Length 13mm	3	12	23-CH-020	Short Thread Screw, Length 20mm	3
13	23-CS-014L	Long Thread Screw, Length 14mm	3	13	23-CH-021	Short Thread Screw, Length 21mm	3
14	23-CS-015L	Long Thread Screw, Length 15mm	3	14	23-CH-022	Short Thread Screw, Length 22mm	3
15	23-CS-016L	Long Thread Screw, Length 16mm	3	15	23-CH-023	Short Thread Screw, Length 23mm	3
16	23-CS-017L	Long Thread Screw, Length 17mm	3	16	23-CH-024	Short Thread Screw, Length 24mm	3
17	23-CS-018L	Long Thread Screw, Length 18mm	3	17	23-CH-025	Short Thread Screw, Length 25mm	3
18	23-CS-019L	Long Thread Screw, Length 19mm	3	18	23-CH-026	Short Thread Screw, Length 26mm	3
19	23-CS-020L	Long Thread Screw, Length 20mm	3	19	23-CH-027	Short Thread Screw, Length 27mm	3
20	23-CS-022L	Long Thread Screw, Length 22mm	3	20	23-CH-028	Short Thread Screw, Length 28mm	3
21	23-CS-024L	Long Thread Screw, Length 24mm	3	21	23-CH-029	Short Thread Screw, Length 29mm	3
22	23-CS-026L	Long Thread Screw, Length 26mm	3	22	23-CH-030	Short Thread Screw, Length 30mm	3
23	23-CS-028L	Long Thread Screw, Length 28mm	3	23	23-CH-035	Short Thread Screw, Length 35mm	3
24	23-CS-030L	Long Thread Screw, Length 30mm	3	24	23-CH-016L	Long Thread Screw, Length 16mm	3
25	23-CS-035L	Long Thread Screw, Length 35mm	3	25	23-CH-017L	Long Thread Screw, Length 17mm	3
				26	23-CH-018L	Long Thread Screw, Length 18mm	3
				27	23-CH-019L	Long Thread Screw, Length 19mm	3
				28	23-CH-020L	Long Thread Screw, Length 20mm	3
				29	23-CH-022L	Long Thread Screw, Length 22mm	3
				30	23-CH-024L	Long Thread Screw, Length 24mm	3
				31	23-CH-026L	Long Thread Screw, Length 26mm	3
				32	23-CH-028L	Long Thread Screw, Length 28mm	3
				33	23-CH-030L	Long Thread Screw, Length 30mm	3
				34	23-CH-035L	Long Thread Screw, Length 35mm	3

Instruments			
No	Code	Description	Set Quantity
1	112-23-601	Cannulated Drill Bit Ø1.8mm for Ø2.3mm Cannulated Screws(Drilling length: 30mm, Overall length: 110mm)	2
2	113-HF-608	Hexagonal Screwdriver Shaft for Ø2.3mm Cannulated Screws	2
3	111-094	Cannulated Countersink Drill Bit	1
4	111-063	Screwdriver Handle	2
5	111-061	Depth Gauge for Ø2.3/Ø3.0mm Screws, 0~50mm	1
6	111-067-1	Cleaning Stylet Ø0.8mm	1
7	111-068-1	Guide Pin Ø0.8mm for Ø2.3mm Screws	10
8	111-096-1	Dispenser	1
9	114-009	Grasping Forceps	1
10	111-093	Double Drill Guide for Ø2.3mm Screws	1

3.0 Set Set Configuration

3.0mm Cannulated Screws				3.0mm Headless Cannulated Screws			
No	Code	Description	Set Quantity	No	Code	Description	Set Quantity
1	30-CS-008	Short Thread Screw, Length 8mm	3	1	30-CH-010	Short Thread Screw, Length 10mm	3
2	30-CS-009	Short Thread Screw, Length 9mm	3	2	30-CH-011	Short Thread Screw, Length 11mm	3
3	30-CS-010	Short Thread Screw, Length 10mm	3	3	30-CH-012	Short Thread Screw, Length 12mm	3
4	30-CS-011	Short Thread Screw, Length 11mm	3	4	30-CH-013	Short Thread Screw, Length 13mm	3
5	30-CS-012	Short Thread Screw, Length 12mm	3	5	30-CH-014	Short Thread Screw, Length 14mm	3
6	30-CS-013	Short Thread Screw, Length 13mm	3	6	30-CH-015	Short Thread Screw, Length 15mm	3
7	30-CS-014	Short Thread Screw, Length 14mm	3	7	30-CH-016	Short Thread Screw, Length 16mm	3
8	30-CS-015	Short Thread Screw, Length 15mm	3	8	30-CH-017	Short Thread Screw, Length 17mm	3
9	30-CS-016	Short Thread Screw, Length 16mm	3	9	30-CH-018	Short Thread Screw, Length 18mm	3
10	30-CS-017	Short Thread Screw, Length 17mm	3	10	30-CH-019	Short Thread Screw, Length 19mm	3
11	30-CS-018	Short Thread Screw, Length 18mm	3	11	30-CH-020	Short Thread Screw, Length 20mm	3
12	30-CS-019	Short Thread Screw, Length 19mm	3	12	30-CH-021	Short Thread Screw, Length 21mm	3
13	30-CS-020	Short Thread Screw, Length 20mm	3	13	30-CH-022	Short Thread Screw, Length 22mm	3
14	30-CS-021	Short Thread Screw, Length 21mm	3	14	30-CH-023	Short Thread Screw, Length 23mm	3
15	30-CS-022	Short Thread Screw, Length 22mm	3	15	30-CH-024	Short Thread Screw, Length 24mm	3
16	30-CS-023	Short Thread Screw, Length 23mm	3	16	30-CH-025	Short Thread Screw, Length 25mm	3
17	30-CS-024	Short Thread Screw, Length 24mm	3	17	30-CH-026	Short Thread Screw, Length 26mm	3
18	30-CS-025	Short Thread Screw, Length 25mm	3	18	30-CH-027	Short Thread Screw, Length 27mm	3
19	30-CS-026	Short Thread Screw, Length 26mm	3	19	30-CH-028	Short Thread Screw, Length 28mm	3
20	30-CS-027	Short Thread Screw, Length 27mm	3	20	30-CH-029	Short Thread Screw, Length 29mm	3
21	30-CS-028	Short Thread Screw, Length 28mm	3	21	30-CH-030	Short Thread Screw, Length 30mm	3
22	30-CS-029	Short Thread Screw, Length 29mm	3	22	30-CH-032	Short Thread Screw, Length 32mm	3
23	30-CS-030	Short Thread Screw, Length 30mm	3	23	30-CH-034	Short Thread Screw, Length 34mm	3
24	30-CS-032	Short Thread Screw, Length 32mm	3	24	30-CH-036	Short Thread Screw, Length 36mm	3
25	30-CS-034	Short Thread Screw, Length 34mm	3	25	30-CH-038	Short Thread Screw, Length 38mm	3
26	30-CS-036	Short Thread Screw, Length 36mm	3	26	30-CH-040	Short Thread Screw, Length 40mm	3
27	30-CS-038	Short Thread Screw, Length 38mm	3	27	30-CH-045	Short Thread Screw, Length 45mm	3
28	30-CS-040	Short Thread Screw, Length 40mm	3	28	30-CH-050	Short Thread Screw, Length 50mm	3
29	30-CS-045	Short Thread Screw, Length 45mm	3	29	30-CH-016L	Long Thread Screw, Length 16mm	3
30	30-CS-050	Short Thread Screw, Length 50mm	3	30	30-CH-017L	Long Thread Screw, Length 17mm	3
31	30-CS-014L	Long Thread Screw, Length 14mm	3	31	30-CH-018L	Long Thread Screw, Length 18mm	3
32	30-CS-015L	Long Thread Screw, Length 15mm	3	32	30-CH-019L	Long Thread Screw, Length 19mm	3
33	30-CS-016L	Long Thread Screw, Length 16mm	3	33	30-CH-020L	Long Thread Screw, Length 20mm	3
34	30-CS-017L	Long Thread Screw, Length 17mm	3	34	30-CH-021L	Long Thread Screw, Length 21mm	3
35	30-CS-018L	Long Thread Screw, Length 18mm	3	35	30-CH-022L	Long Thread Screw, Length 22mm	3
36	30-CS-019L	Long Thread Screw, Length 19mm	3	36	30-CH-023L	Long Thread Screw, Length 23mm	3
37	30-CS-020L	Long Thread Screw, Length 20mm	3	37	30-CH-024L	Long Thread Screw, Length 24mm	3
38	30-CS-021L	Long Thread Screw, Length 21mm	3	38	30-CH-025L	Long Thread Screw, Length 25mm	3
39	30-CS-022L	Long Thread Screw, Length 22mm	3	39	30-CH-026L	Long Thread Screw, Length 26mm	3
40	30-CS-023L	Long Thread Screw, Length 23mm	3	40	30-CH-027L	Long Thread Screw, Length 27mm	3
41	30-CS-024L	Long Thread Screw, Length 24mm	3	41	30-CH-028L	Long Thread Screw, Length 28mm	3
42	30-CS-025L	Long Thread Screw, Length 25mm	3	42	30-CH-029L	Long Thread Screw, Length 29mm	3
43	30-CS-026L	Long Thread Screw, Length 26mm	3	43	30-CH-030L	Long Thread Screw, Length 30mm	3
44	30-CS-027L	Long Thread Screw, Length 27mm	3	44	30-CH-032L	Long Thread Screw, Length 32mm	3
45	30-CS-028L	Long Thread Screw, Length 28mm	3	45	30-CH-034L	Long Thread Screw, Length 34mm	3
46	30-CS-029L	Long Thread Screw, Length 29mm	3	46	30-CH-036L	Long Thread Screw, Length 36mm	3
47	30-CS-030L	Long Thread Screw, Length 30mm	3	47	30-CH-038L	Long Thread Screw, Length 38mm	3
48	30-CS-032L	Long Thread Screw, Length 32mm	3	48	30-CH-040L	Long Thread Screw, Length 40mm	3
49	30-CS-034L	Long Thread Screw, Length 34mm	3	49	30-CH-045L	Long Thread Screw, Length 45mm	3
50	30-CS-036L	Long Thread Screw, Length 36mm	3	50	30-CH-050L	Long Thread Screw, Length 50mm	3
51	30-CS-038L	Long Thread Screw, Length 38mm	3				
52	30-CS-040L	Long Thread Screw, Length 40mm	3				
53	30-CS-045L	Long Thread Screw, Length 45mm	3				
54	30-CS-050L	Long Thread Screw, Length 50mm	3				

3.0 Set Set Configuration

Instruments			
No	Code	Description	Set Quantity
1	112-30-601	Cannulated Drill Bit Ø2.2mm for Ø3.0mm Screws	2
2	113-HF-603	Cannulated Screwdriver Shaft for Ø3.0mm Screws	2
3	111-072	Cannulated Countersink Drill Bit	1
4	111-063	Screwdriver Handle	2
5	111-068-2	Guide Pin Ø1.1mm for Ø3.0mm Screws	5
6	111-061	Depth Gauge for Ø2.3/Ø3.0mm Screws, 0~50mm	1
7	111-067-2	Cleaning Stylet Ø1.1mm	1
8	111-064	Screw Holding Forceps	1
9	114-009	Grasping Forceps	1
10	111-057	Double Drill Guide for Ø3.0mm Screws	1

4.5/6.0 Set Configuration

4.0mm Cannulated Screws				6.0mm Cannulated Screws			
No	Code	Description	Set Quantity	No	Code	Description	Set Quantity
1	45-CS-020	Length 20mm	3	1	60-CS-030	Short Thread Screw, Length 30mm	3
2	45-CS-022	Length 22mm	3	2	60-CS-035	Short Thread Screw, Length 35mm	3
3	45-CS-024	Length 24mm	3	3	60-CS-040	Short Thread Screw, Length 40mm	3
4	45-CS-026	Length 26mm	3	4	60-CS-045	Short Thread Screw, Length 45mm	3
5	45-CS-028	Length 28mm	3	5	60-CS-050	Short Thread Screw, Length 50mm	3
6	45-CS-030	Length 30mm	3	6	60-CS-055	Short Thread Screw, Length 55mm	3
7	45-CS-032	Length 32mm	3	7	60-CS-060	Short Thread Screw, Length 60mm	3
8	45-CS-034	Length 34mm	3	8	60-CS-065	Short Thread Screw, Length 65mm	3
9	45-CS-036	Length 36mm	3	9	60-CS-070	Short Thread Screw, Length 70mm	3
10	45-CS-038	Length 38mm	3	10	60-CS-075	Short Thread Screw, Length 75mm	3
11	45-CS-040	Length 40mm	3	11	60-CS-080	Short Thread Screw, Length 80mm	3
12	45-CS-042	Length 42mm	3	12	60-CS-045L	Long Thread Screw, Length 45mm	3
13	45-CS-044	Length 44mm	3	13	60-CS-050L	Long Thread Screw, Length 50mm	3
14	45-CS-046	Length 46mm	3	14	60-CS-055L	Long Thread Screw, Length 55mm	3
15	45-CS-048	Length 48mm	3	15	60-CS-060L	Long Thread Screw, Length 60mm	3
16	45-CS-050	Length 50mm	3	16	60-CS-065L	Long Thread Screw, Length 65mm	3
17	45-CS-052	Length 52mm	3	17	60-CS-070L	Long Thread Screw, Length 70mm	3
18	45-CS-054	Length 54mm	3	18	60-CS-075L	Long Thread Screw, Length 75mm	3
19	45-CS-056	Length 56mm	3	19	60-CS-080L	Long Thread Screw, Length 80mm	3
20	45-CS-060	Length 60mm	3				

Instruments			
No	Code	Description	Set Quantity
1	112-45-601	Cannulated Drill Bit Ø3.5mm for Ø4.5mm Screws(Drilling length: 85mm, Overall length: 120mm)	2
2	112-60-601	Cannulated Drill Bit Ø4.8mm for Ø6.0mm Screws(Drilling length: 105mm, Overall length: 140mm)	2
3	113-HF-604	Cannulated Screwdriver Shaft for Ø4.5mm Screws	2
4	113-HF-605	Cannulated Screwdriver Shaft for Ø6.0mm Screws	2
5	111-063	Screwdriver Handle	2
6	111-068-3	Guide Pin Ø1.6mm for Ø4.5mm Screws	3
7	111-068-4	Guide Pin Ø2.0 mm for Ø6.0mm Screws	3
8	111-062	Depth Gauge for Ø4.5/Ø6.0mm Screws, 0~80mm	1
9	111-067-3	Cleaning Stylet Ø1.6mm	1
10	111-067-4	Cleaning Stylet Ø2.0 mm	1
11	111-064	Screw Holding Forceps	1
12	114-009	Grasping Forceps	1
13	111-072	Cannulated Countersink Drill Bit	1
14	111-069-1	Compression Washer for Ø4.5mm Screws	3
15	111-069-2	Compression Washer for Ø6.0mm Screws	3
16	111-058	Double Drill Guide for Ø4.5mm Screws	1
17	111-059	Double Drill Guide for Ø6.0mm Screws	1

Reference Chart-Guide Pins / Drill Bits

2.3 Cannulated Screws

	2.3mm Cannulated Screw		2.3mm Cannulated Headless Screw	
Head Diameter	Ø3.5mm		Ø3.1mm	
Shaft Diameter	Ø1.6mm		Ø1.6mm	
Core Diameter	Ø1.6mm		Ø1.6mm	
Thread Diameter	Ø2.3mm		Ø2.3mm	
Screw Length Range	20~35mm	9~35mm	9~35mm	16~35mm
Thread Length Range	5~6mm	4~19mm	4~6mm	5~17mm
Guide Pin	Ø0.8mm		Ø0.8mm	
Drill Bit	Ø1.8mm		Ø1.8mm	

3.0 Cannulated Screws

	3.0mm Cannulated Screw		3.0mm Cannulated Headless Screw	
Head Diameter	Ø4.5mm		Ø3.5mm	
Shaft Diameter	Ø2.0mm		Ø2.0mm	
Core Diameter	Ø2.0mm		Ø2.0mm	
Thread Diameter	Ø3.0mm		Ø3.0mm	
Screw Length Range	8~50mm	14~50mm	10~50mm	16~50mm
Thread Length Range	4~8mm	6~28mm	4~20mm	5~26mm
Guide Pin	Ø1.1mm		Ø1.1mm	
Drill Bit	Ø2.2mm		Ø2.2mm	

4.5/6.0 Cannulated Screws

	4.5mm Cannulated Screw		6.0mm Cannulated Screw	
Head Diameter	Ø6.0mm		Ø8.0mm	
Shaft Diameter	Ø3.1mm		Ø4.3mm	
Core Diameter	Ø2.7mm		Ø4.0mm	
Thread Diameter	Ø4.5mm		Ø6.0mm	
Screw Length Range	20~60mm	30~80mm	45~80mm	
Thread Length Range	7~20mm	16mm	32mm	
Guide Pin	Ø1.6mm		Ø2.0mm	
Drill Bit	Ø3.5mm		Ø4.8mm	



JEIL MEDICAL CORPORATION

702-703-704-705-706-804-805-807-812-815-ho, 55, Digital-ro 34-gil, Guro-gu, Seoul, 08378, Rep. of Korea

INTERNATIONAL SALES_ T 82.2.850.3935 F 82.2.850.3537 E global@jeilmed.co.kr

DOMESTIC SALES_ T 82.2.850.3500 F 82.2.850.3535 E jeil@jeilmed.co.kr